

## Product Code: S-12183

**30 & 33-inch White Fireclay Single Bowl  
Farmhouse/Apron-Front Kitchen Sink  
With Integrated Workstation Ledge**



## PRODUCT FEATURES

- **Fine Fireclay Construction:** Expertly crafted for lasting durability and a timeless aesthetic.
- **HPC™ Density Tech:** Utilizing High-Pressure Casting to achieve 30% higher density than traditional manufacturing methods.
- **1280°C HYPER-FIRING:** Processed in a 22-hour tunnel kiln for a surface that is exceptionally resistant to scratches, stains, chips, and thermal shock.
- **Reinforced Design:** Engineered to withstand the rigors of both professional culinary environments and residential kitchens.
- **Standard Drain:** Features a standard 3-1/2" drain opening.

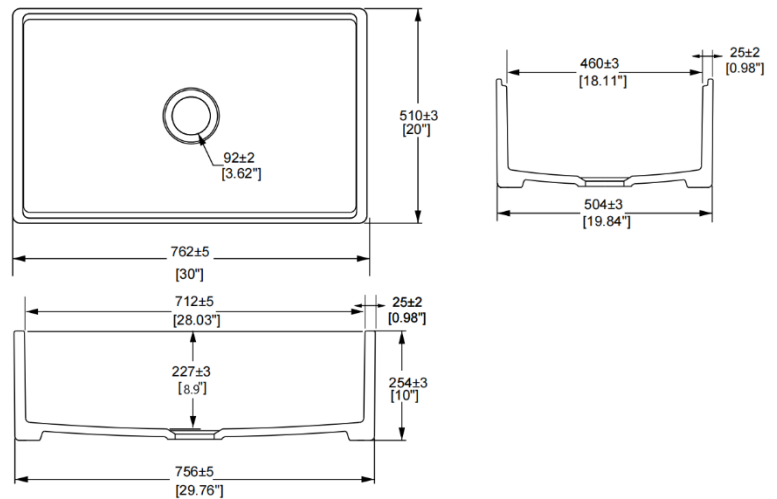
## COLORS

- **Standard Colors:** White
- **Premium Colors:** Matte Gray    Matte Black



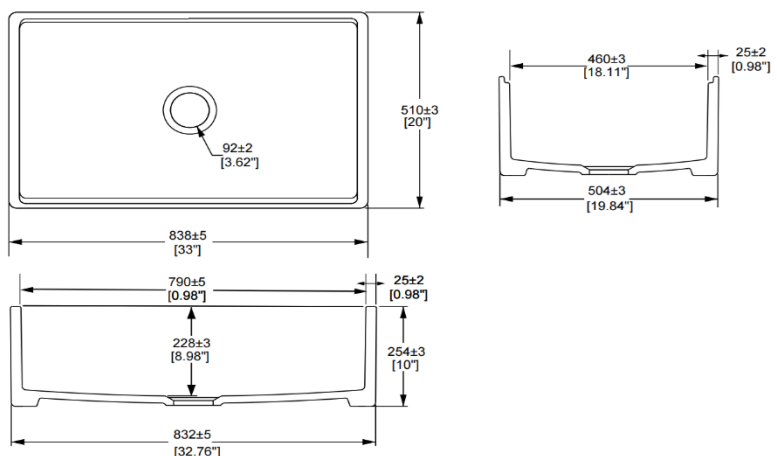
## TECHNICAL INFORMATION

- **30" Sink Dimensions:**  
30" x 20 1/16" x 10" (762\*510\*254 mm)
- **Please note tolerances on drawing.**
- **N.W.:** 41.25 KG



## TECHNICAL INFORMATION

- **33" Sink Dimensions:**  
33" x 20 1/16" x 10" (838\*510\*254 mm)
- **Please note tolerances on drawing.**
- **N.W.:** 50.8 KG



## **PARTS INCLUDED**

- Roll-Up Dish Drying Rack
- Kitchen Sink Strainer
- Cutting Board

## **STANDARDS APPLICAB**

- **cUPC** (Uniform Plumbing Code)
- **CE** (European Conformity)
- **UKCA** (UK Conformity Assessed)
- **WaterMark**